

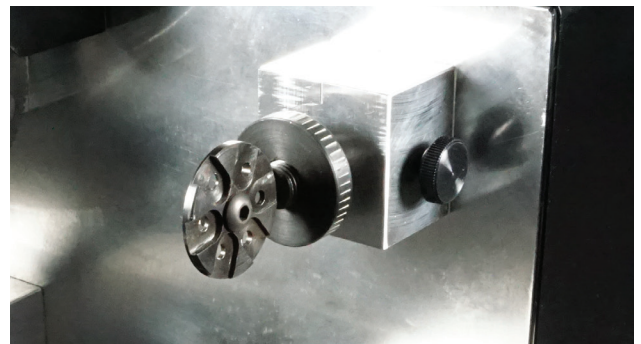
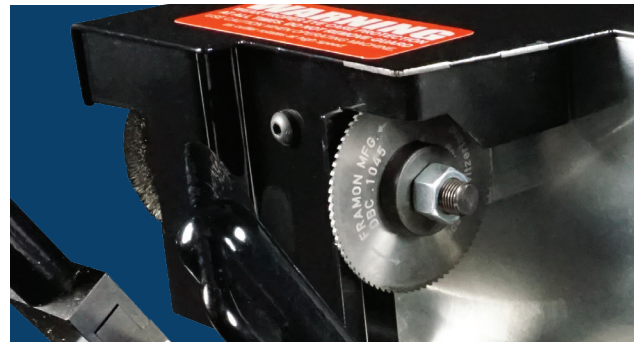
# DBM-1

## FLAT STEEL KEY DUPLICATOR

### MAKES FAST WORK OUT OF FLAT STEEL KEY DUPLICATION

The Framon DBM-1 is designed to cut safety deposit box, locker, and padlock keys. This specialized flat key duplicator will duplicate blanks up to 3 1/2" long. The DBM-1 features a wire deburring brush (nylon also available) and carbide cutter.

You can expect years of trouble-free service from your DBM-1. Cut Master Padlock corrugated keys, locker, letterbox, and safety-deposit box. Even cut two keys at a time!



[www.framon.com](http://www.framon.com)

1201 West Chisholm Street • Alpena, Michigan 49707

# DBM-1 FLAT STEEL KEY DUPLICATOR

## ALL THE QUALITY YOU'VE COME TO EXPECT FROM FRAMON

The Framon DBM-1 is designed to cut safety deposit box, locker, and padlock keys. This specialized flat key duplicator will duplicate blanks up to 3 1/2" long. The DBM-1 features a wire deburring brush (nylon also available) and carbide cutter.

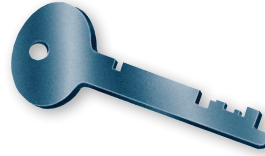
## ROTATING GUIDE FOR DIFFERENT CUTTER WIDTHS

The DBM-1 features a rotating guide which can be paired up to six different cutter widths. Widths available in .035", .045", .055", .066", and .088". A .100" cut can be made by pairing the .045" and .055" cutters.

## DESIGNED TO DO ONE JOB AND DO IT RIGHT

Depth adjustments can be made in .001" increments. As with all Framon products, sealed ball bearings are used in the spindle. Built-in rod wipers keep the carriage rod clean as you cut keys.

You can expect years of trouble-free service from your DBM-1. Cut Master Padlock corrugated keys, locker, letterbox, and safety-deposit box. Even cut two keys at a time!



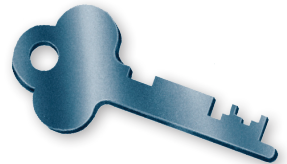
### SAFETY DEPOSIT BOX KEYS

Diebold, Master, Yale Sargent & Greenleaf Victor, LeFebure, HHM, & York

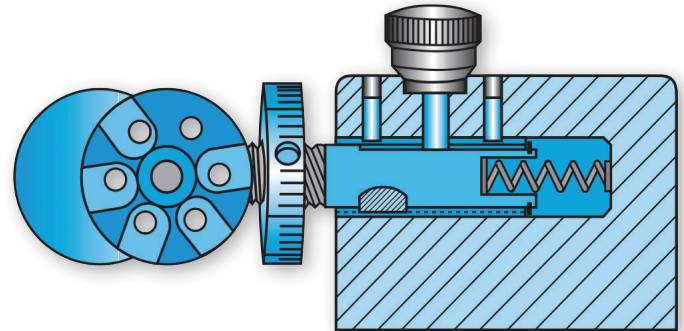


### PADLOCK KEYS

Single and double sided Master



**LOCKER & LETTERBOX KEYS**  
Yale, National Eagle, Auth, Couch, & Florence



## ROTATING STYLUS

Rotating stylus changes easily to 6 different guide widths of .035, .045, .055, .066, .088, .100.

**Precise adjustments - no guesswork.**

Guide easily locks in rearward position for easy tip alignment, no spring pressure.



[www.framon.com](http://www.framon.com)

1201 West Chisholm Street • Alpena, Michigan 49707